



coral 85

RÁÜLŐS TAKARÍTÓGÉP

HASZNÁLATI ÉS KARBANTARTÁSI ÚTMUTATÓ

EN

**coral 65
coral 65 II
coral 85**

06 2020



Use and maintenance



Warning! Please read the instructions before use.

ADIATEK srl




Head Office:

**Via Monte Pastello, 14
I-37057 San Giovanni Lupatoto (VR)**

Tel. +39 045 877 9086

Fax. +39 045 877 9195

www.adiatek.com - info@adiatek.com

TECHNICAL DESCRIPTION	U/M	coral 65	coral 65 II	coral 85
Cleaning width	mm	660	660	850
	in	26	26	33.5
Squeegee width	mm	980	980	1070
	in	39	39	42
Working capacity, up to	m ² /h	3300	3300	4250
	sqft/h	35521	35521	45747
Brushes diameter	mm	2 x 345	2 x 345	2 x 430
	in	2 x 14	2 x 14	2 x 17
Brushes rpm	giri/min (rpm)	190	161	168
Pressure on the brushes	kg	60 max	80 max	80 max
	lbs.	132 max	176 max	176 max
Brushes motor	W	650	900	1100
	A	27	37,5	45,8
Traction motor	W	500	500	500
	A	20	20	20
Suction motor	W	580	580	580
	A	24	24	24
Suction vacuum	mbar	160	160	160
	water lift	64	64	64
Type of drive		autom.	autom.	autom.
Movement speed slow	km/h	3,6	3,6	3,6
	mph	2.2	2.2	2.2
Movement speed fast	km/h	5,0	5,0	5,0
	mph	3.1	3.1	3.1
Maximum gradient	%	10	10	10
Solution tank	l	100	100	100
	gal	27	27	27
Recovery tank	l	105	105	105
	gal	28	28	28
Machine length	mm	1575	1575	1575
	in	62	62	62
Machine height	mm	1320	1320	1320
	in	52	52	52
Machine width (without squeegee)	mm	730	730	900
	in	29	29	35
Weight of the machine (empty and without batteries)	kg	260	277	282
	lbs.	573	611	622
Gross weight of the machine (in conformity with EN 60335-2-72 art. 5.z102)	kg	635	673	678
	lbs.	1340	1484	1495
Capacity of the batteries	Ah ₅	240	240	240
Weight of the batteries	kg	200	200	200
	lbs.	441	441	441
Compartment of the batteries (LxWxH)	mm	415x520x385	415x520x385	415x520x385
	in	16.5x20.5x15	16.5x20.5x15	16.5x20.5x15
Acoustic pressure level (in conformity with EN 60704-1) Lpa	dB (A)	68,5	65.9	65.9
Measure uncertainty Kpa	dB (A)	1,5	/	2
Sound power level Lwa	dB (A)	86,1	/	/
Measure uncertainty Kpa	dB (A)	1,5	/	/
Vibration whole body	m/s ²	1,254	0.8256	0.8256
Vibration to the system hand-arm	m/s ²	4,081	0.276	0.276
Measure uncertainty		4%	/	6%
Class				
Protection level	IP	23	23	23
Tension	V	24	24	24
Weight packed machine	kg	290	290	290
	lbs.	640	640	640
Packing dimensions (LxDxH)	mm	178x93x138	178x93x138	178x93x138
	in	70x37x54	70x37x54	70x37x54

INTRODUCTORY COMMENT

Thank you for having chosen our machine. This floor cleaning machine is used for **commercial use** and is used for the industrial and civil cleaning to clean any type of floor. During its advance movement, the combined action of the brush and the detergent solution removes the dirt which is aspirated through the rear suction assembly, giving a perfectly dry surface.

The machine must be used only for such purpose. It gives the best performance if it is used correctly and maintained in perfect efficiency. We therefore ask you to read this instruction booklet carefully whenever difficulties arise in the course of the machine's use.

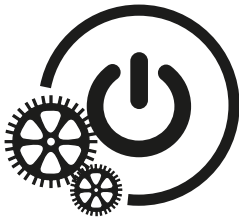
In case of need, we ask you to contact our service department for all advice and servicing as may prove necessary.

ATTENTION: This machine is for internal use only.

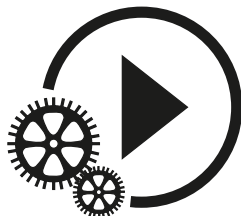
ATTENTION: This machine must only be stored indoors.

SUMMARY

INTRODUCTORY COMMENT 3
 GENERAL RULES OF SAFETY 4
 Transfer 4
 Storage and disposal 4
 Correct use 4
 Maintenance 4
 Transporting the machine 4
 GENERAL RULES OF THE BATTERIES 4
 LEGEND PANEL OF CONTROLS 5
 LEGEND MACHINE 5
 SYMBOLOGY MACHINE 6
 SYMBOLOGY HANDBOOK 6
 OPTIONAL ACCESSORIES 7

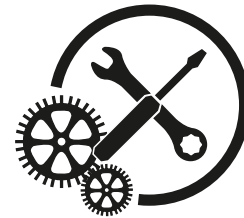


BEFORE USE 8
 Handling of the packed machine 8
 Unpacking of the machine 8
 Access to the battery compartment 8
 Battery installation 9
 Battery recharger 9
 Incorporated battery recharger (optional) 9
 Batteries recharging 9
 Batteries recharging with incorporated charger (optional) 9
 Connection batteries' connector and ignition of the machine 10
 Batteries charge level indicator 10
 Setting of the battery check card 11
 Hour meter 11
 Squeegee assembly 11
 Adjustment of the squeegee 11
 Splash guard assembly 12
 Brushes assembly 12



FLOOR CLEANING 13
 Recovery tank 13
 Detergent solution tank 13
 3SD system Solution Saving System Dispenser (optional) 13
 Selecting and working with ozone (optional) 14
 STARTING OF THE MACHINE 14
 Forward and backward movement 14
 Horn 15
 Working brake 15
 Parking brake 15
 Manual movement of the machine 15

Working in automatic mode 15
 Working in manual mode 15
 Working adjustments 16
 Flow adjustment of the detergent solution 16
 Adjustment of the brushes pressure 16
 Electric protection 16
 Overflow device 16



AFTER CLEANING OPERATION 17
 DAILY MAINTENANCE 17
 Recovery tank emptying and cleaning 17
 Suction filter cleaning 17
 Brushes disassembly 17
 Brushes cleaning 18
 Squeegee cleaning 18
 WEEKLY MAINTENANCE 18
 Rear squeegee rubber check 18
 Squeegee hose cleaning 18
 Cleaning of the solution tank and of the outer filter 18
 TWO-MONTHLY MAINTENANCE 19
 Front squeegee rubber check 19
 SIX-MONTHLY MAINTENANCE 19
 Splash guard rubber check 19
 TROUBLESHOOTING GUIDE 19
 The suction motor does not work 19
 The brushes motor does not work 19
 The traction motor does not work 19
 Water does not come down onto the brushes or is not sufficient 19
 The machine does not clean properly 20
 The squeegee does not dry perfectly 20
 Excessive foam production 20
 PROGRAMMED MAINTENANCE 21
 Periodic ordinary maintenance chart 21
 Advice SER1 21

GENERAL RULES OF SAFETY

The rules below have to be followed carefully in order to avoid injury to the operator and damage to the machine.

- Read the labels carefully on the machine. Do not cover them for any reason and replace them immediately if damaged.
- **ATTENTION:** The machine must be used exclusively by authorized staff that have been instructed on its correct and proper use.
- **ATTENTION:** Do not use the machine on areas having a higher gradient than the one stated on the number plate.
- **ATTENTION:** The machine is not to be used by persons, children included, with reduced physical, sensorial or mental capabilities, or with lack of experience or knowledge, unless they could benefit, through the intermediation of a responsible person for their safety, by a supervision or instructions concerning to its use.
- During the operation of the machine, pay attention to other people and especially to the children.
- Children shall not play with the machine.
- Children cannot carry out cleaning and maintenance of the machine.

TRANSFER

- **WARNING:** Do not use the machine in areas where it is likely that the operator is hit by falling objects since the appliance is not provided with a falling object protective structure (FOPS).
- Do not strike shelvings or scaffoldings where there is danger of falling objects.
- Leaving the machine in parking position, take off the key and act upon the parking brake.
- Do not use the machine as a means of transport.
- Adapt the working speed to the adhesion conditions: particularly, slow down before narrow curves have to be faced.

STORAGE AND DISPOSAL

- Storage temperature: between 0°C and +55°C (32°F and 131°F).
- Perfect operating temperature: between 0°C and +40°C (32°F and 104°F).
- The humidity should not exceed 95%.
- Provide for the scrapping of the material of normal wear following strictly the respective rules.
- The batteries need to be removed from the machine before its scrapping.
- When your machine has to stop activity, provide for the appropriate waste disposal of its materials, especially oils, batteries and electronic components, and considering that the machine itself has been, where possible, constructed using recyclable materials.

CORRECT USE

- Do not use the machine on surfaces covered with inflammable liquids or dusts (for example hydrocarbons, ashes or soot).
- In case of fire, use a powder based fire-extinguisher. Do not use water.
- Do not use the machine in explosive atmosphere.
- The machine has to carry out simultaneously the operations of washing and drying. Different operations must be carried out in restricted areas prohibited to non-authorized personnel and the operator has to wear suitable shoes.
- Signal the areas of moist floors with suitable signs.
- Do not mix different detergents, avoiding harmful odours.
- Avoid brushes operation when the machine is standing still in order to prevent floor damages.

MAINTENANCE

- If the machine does not work properly, check by conducting simple maintenance procedures. Otherwise, as for technical advice from an authorized assistance centre.
- For any cleaning and/or maintenance operation remove the battery connector.
- Where parts are required, ask for ORIGINAL spare parts from the distributor and/or from an authorized dealer.
- Use only ORIGINAL brushes.
- Do not take off the protections which require the use of tools for their removal.

- Do not wash the machine with direct water jets or with high water pressure nor with corrosive material.
- Every 200 working hours have a machine check by an authorized service department.
- Before using the machine, check that all panels and coverings are in their position as indicated in this use and maintenance catalogue.
- Restore all electrical connections after any maintenance operation.

TRANSPORTING THE MACHINE

WARNING: Before transporting the machine on an open truck or trailer, make sure that:

- All tanks are empty.
- Recovery tank cover is latched securely.
- The machine is tied down securely.
- The machine's electromagnetic brake is engaged (not manually overridden).

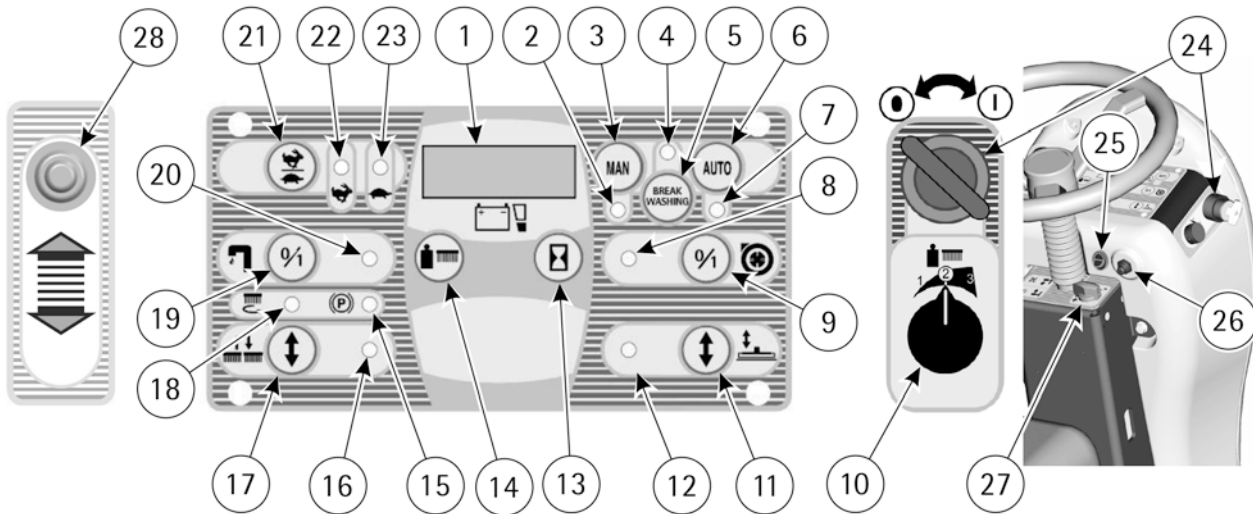
GENERAL RULES OF THE BATTERIES



- At any intervention on the batteries, use suitable acid-proof gloves and glasses.
- Do not smoke near the batteries and do not approach them with free flames.
- Check that a fire-extinguisher is available on site.
- Be very careful in case of leakages or liquid outlets because corrosive.
- Do not place any metallic tools onto the batteries. Risk of short circuit!
- It is compulsory to hand over exhaust batteries, classified as dangerous waste, to an authorized institution according to the current laws.

LEGEND PANEL OF CONTROLS

- | | |
|--|---|
| <ol style="list-style-type: none"> 1. DISPLAY 2. SIGNAL LAMP MANUAL MODE ON 3. PUSH BUTTON CONNECTION MANUAL MODE 4. SIGNAL LAMP MODE BREAK WASHING ON 5. PUSH BUTTON CONNECTION MODE BREAK WASHING 6. PUSH BUTTON CONNECTION MODE AUTOMATIC 7. SIGNAL LAMP AUTOMATIC MODE ON 8. SIGNAL LAMP SUCTION MOTOR ON 9. SWITCH SUCTION MOTOR 10. ADJUSTMENT KNOB BRUSHES PRESSURE 11. PUSH BUTTON UP/DOWN SQUEEGEE 12. SIGNAL LAMP UP/DOWN SQUEEGEE 13. PUSH BUTTON VISUALIZATION HOUR METER (DISPLAY) 14. PUSH BUTTON VISUALIZATION BRUSHES PRESSURE SET (DISPLAY) 15. SIGNAL LAMP PARKING BRAKE ON | <ol style="list-style-type: none"> 16. SIGNAL LAMP UP/DOWN BRUSHES 17. PUSH BUTTON UP/DOWN BRUSHES 18. SIGNAL LAMP STARTING BRUSHES ROTATION 19. PUSH BUTTON WATER OPENING (SOLENOID VALVE) or PUSH BUTTON ADJUSTMENT DETERGENT DOSAGE 3SD system (OPTIONAL) 20. SIGNAL LAMP WATER OPEN (SOLENOID VALVE) 21. PUSH BUTTON FOR SPEED SELECTION 22. SIGNAL LAMP SELECTION MAXIMUM SPEED 23. SIGNAL LAMP SELECTION SLOW SPEED 24. KEY SWITCH MACHINE ON 25. SWITCH FOR FRONT LIGHT (OPTIONAL) 26. PUSH BUTTON HORN 27. KNOB FOR SOLUTION VALVE 28. SELECTOR DIRECTION OF DRIVE |
|--|---|









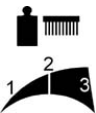


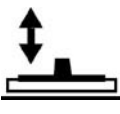






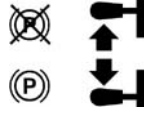
LEGEND MACHINE

- | | |
|--|--|
| <ol style="list-style-type: none"> 1. RECOVERY TANK 2. SOLUTION TANK 3. SEAT 4. DRIVE WHEEL 5. SCREW CAP FOR INLET DETERGENT SOLUTION 6. SUCTION HOSE 7. SUCTION COVER 8. BLOCKING LEVERS SUCTION COVER 9. SQUEEGEE HOSE 10. PLUG EXHAUST HOSE RECOVERY TANK | <ol style="list-style-type: none"> 11. EXHAUST HOSE RECOVERY TANK 12. SQUEEGEE ASSEMBLY 13. PANEL CONTROLS 14. COVER ELECTRICAL LAYOUT 15. PEDAL ACCELERATOR 16. DRAIN PLUG SOLUTION 17. OUTER FILTER DETERGENT SOLUTION 18. TRACTION MOTOR WHEEL 19. BOTTOM PLATE 20. BRUSHES BASE GROUP 21. REAR WHEELS |
|--|--|












SYMBOLGY MACHINE

	Symbol denoting the switch for the water opening and the signal lamp that the water is open.
	Symbol denoting the functioning of the solution valve adjusting the flow of the detergent solution.
	Indication of the maximum temperature of the detergent solution. It is placed near the charging hole of the solution tank.
	Symbol denoting the push button and the signal lamp of the connection mode in manual.
	Symbol denoting the push button and the signal lamp of the connection mode in automatic.
	Symbol denoting the push button and the signal lamp of the connection mode break washing.
	Symbol denoting the signal lamp of the starting of the brushes rotation.
	Symbol denoting the push button to visualize on the display the brushes pressure set.
	Symbol denoting the functioning of the adjustment knob of the brushes pressure.

	Symbol denoting the push button and the signal lamp up/down of the squeegee.
	Symbol denoting the switch and the signal lamp of the suction motor.
	Symbol denoting the charge level of the batteries.
	Symbol denoting the push button to visualize the hour meter on the display.
	Symbol denoting the push button and the signal lamps for the selection of the operation speed.
	Symbol denoting the drive selector forwards/backwards.
	Symbol denoting the signal lamp of the parking brake switched on.
	Symbol denoting the lever position for the connection of the parking brake.

SYMBOLGY HANDBOOK

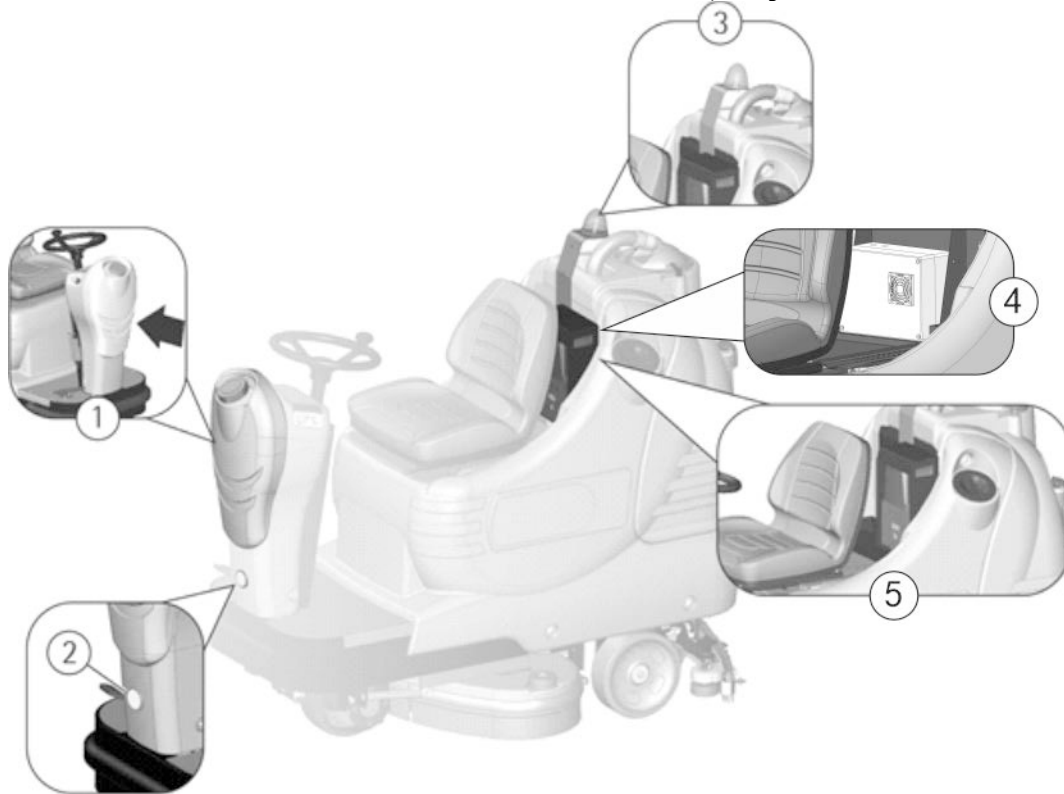
	Symbol denoting the open book. Indicates that the operator has to read the manual before the use of the machine.
	Symbol denoting the open book. For the good functioning of the on-board battery recharger (optional), read the manual of the constructor.
	Warning symbol. Read carefully the sections marked with this symbol, for the security of both the operator and the machine.
	Warning symbol. Risk of acid leakage from the batteries.
	Obligation symbol, disconnect the installation from the batteries acting upon the connector before any operation on the machine.

	Obligation symbol requiring the wear of protection glasses.
	Obligation symbol requiring the wear of protection gloves.
	Symbol preceding an information about the correct use of the machine.
	Symbol indicating operations to be carried out only by qualified personnel.

OPTIONAL ACCESSORIES

The optional accessories are:
3SD dosing system (1);
front light (2);

blinking light (3);
ozone system (4)
on-board battery charger (5);



BEFORE USE

HANDLING OF THE PACKED MACHINE

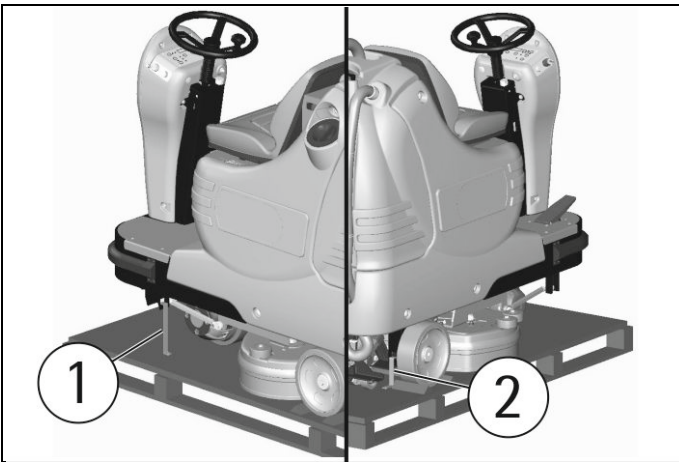
The machine is supplied with suitable packing foreseen for fork lift truck handling. For the package dimensions please look at the "TECHNICAL DESCRIPTION" table.



Do not place more than 2 packings on top of each other.

UNPACKING OF THE MACHINE

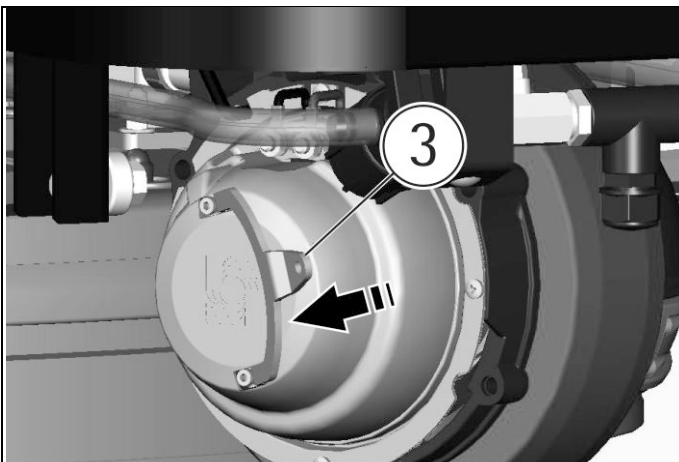
1. Remove the external packing.
2. Unscrew the brackets (1+2) that secure the machine to the pallet.



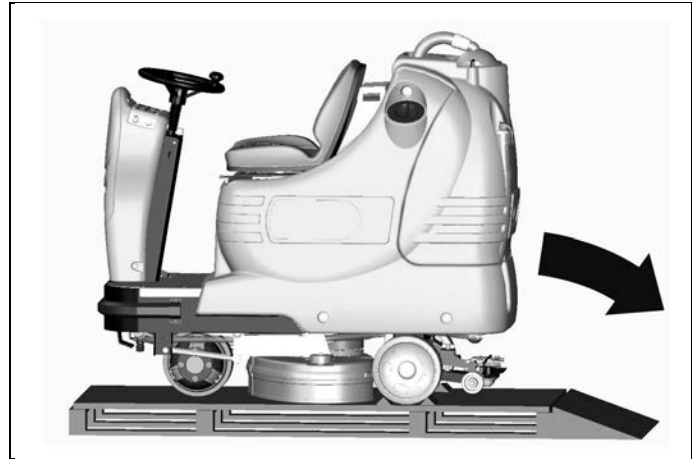
3. Before moving the machine from the pallet, it is necessary to unblock the parking brake that blocks the traction motor wheel. To do this, keep the lever (3) lifted. With the delivery of the machine we also supply a cord that permits the lever operation (3). After having moved the machine, take off the cord and keep it for eventual re-use.



When the parking brake is released manually, for example when the machine has to be moved without batteries, avoid covering slopes and do not park on them either.



4. Move the machine backwards, as indicated in the figure, avoiding heavy contacts to mechanical parts.



Keep the pallet and the brackets for eventual transport.



The portable slope is not included in the packaging.

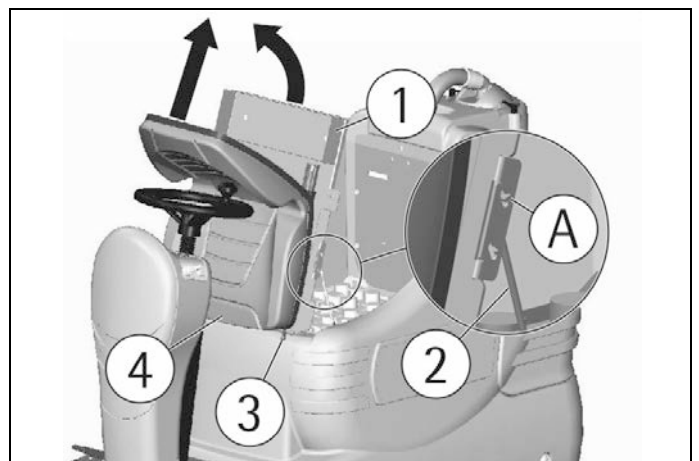
ACCESS TO THE BATTERY COMPARTMENT

1. Bring the machine on a levelled surface.
 2. Rotate the seat platform forward and hook the bar.
- Having finished any intervention, to close the battery compartment, reposition the seat platform.



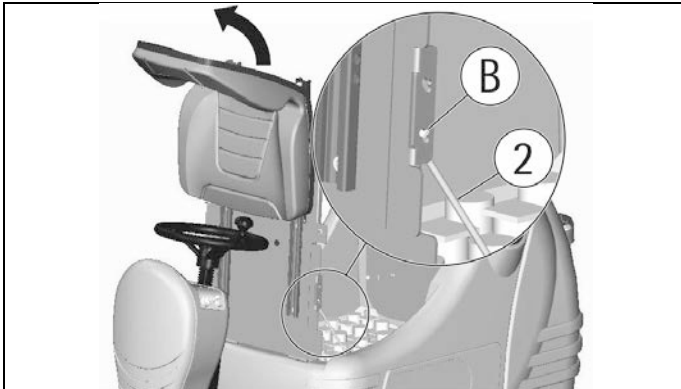
To install into the compartment the batteries, it is necessary to:

1. Rotate the seat platform forward and hook the bar (2) into position A.
2. Remove the holder (1) by unscrewing the two wing nuts under the platform.
3. Pull outwards the releasing lever (3) of the seat making slide the seat body (4) up to the highest position.





4. Rotate further the platform in order to hook the bar (2) into position B.



In this way it will be possible to handle the batteries with suitable lifting equipment.

BATTERY INSTALLATION

The machine is equipped either with batteries in serial connection or elements of DIN-type assembled together and connected in series for a total of 24 Volt, placed in its appropriate compartment under the seat platform and must be handled using suitable lifting equipment (due to weight, considering the type of batteries chosen, and coupling system).
The batteries must be in accordance with CEI 21-5 Norms.



The machine and its battery check card foresee the use of traditional lead batteries.

CHECK THE SETTING OF THE CHECK CARD (see under paragraph "BATTERIES CHARGE LEVEL INDICATOR").
In case of GEL batteries installation, it is necessary to MODIFY THE SETTING of the electronic check card (see under paragraph SETTING OF THE BATTERY CHECK CARD").



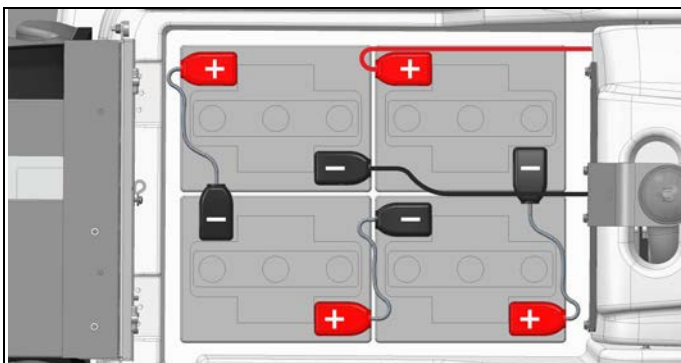
Strictly follow manufacturer/distributor indications for the maintenance and recharge of the batteries. All installation and maintenance operations must be executed by specialized staff, using suitable protection accessories.

For batteries installation it is necessary to reach the battery compartment as indicated under paragraph "ACCESS TO THE BATTERY COMPARTMENT".

1. Place the batteries in its compartment.
2. Connect the terminals, respecting the polarities, avoiding contact with other parts that could create short circuit.

If the machine assembles a box of lead/acid batteries 24V 240Ah_s, connect the battery cables to the related free poles.

If the machine assembles lead/acid batteries 6V 210Ah_s, connect as follows:



BATTERY RECHARGER



Make sure that the battery recharger is suitable for the installed batteries both for their capacities and type (lead/acid or GEL).

In the plastic bag containing the use and maintenance you will find the coupling connector for the recharger. It must be assembled onto the cables of the recharger, following the instructions given by the manufacturer.

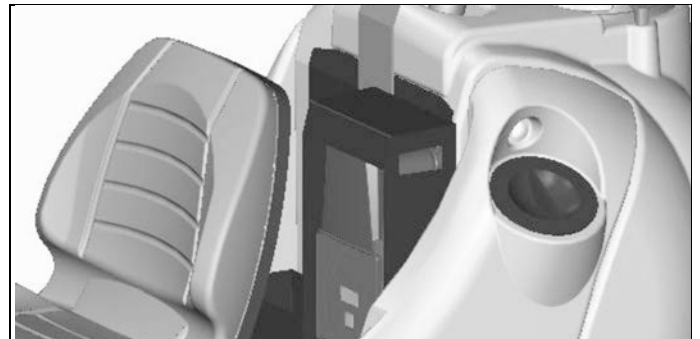
INCORPORATED BATTERY RECHARGER (OPTIONAL)

If the machine is equipped with the incorporated battery recharger (see under "OPTIONAL ACCESSORIES") please refer to the instructions of the constructor of this accessory what the recharging operations concern.

The battery recharger is connected directly to the battery poles.

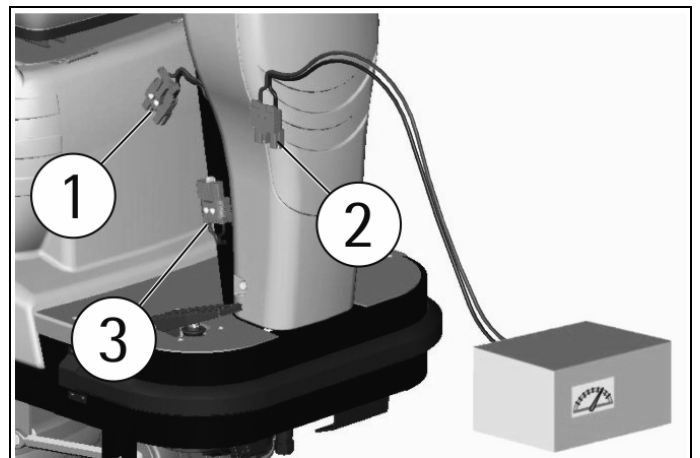
During the recharging operations a device is activated which does not permit the machine's functioning.

The mains cable of the battery recharger has a maximum length of two metres and must be connected to a single-phase socket type CEE 7/7.



BATTERIES RECHARGING

1. Plug the connector (2) of the battery recharger into the battery connector (1).
2. Proceed for the recharging.
3. Disconnect the connector of the battery recharger (2) from the battery connector (1).
4. Connect instead the machine connector (3).



BATTERIES RECHARGING WITH INCORPORATED CHARGER (OPTIONAL)

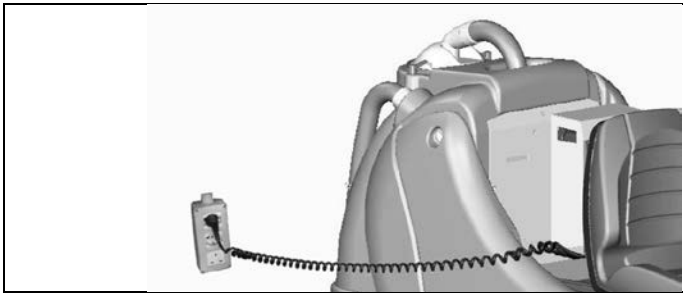


Bring the machine on a levelled surface near to a single-phase socket with tension 230V, frequency 50Hz, nominal current 10A.
Switch off the switches of the brushes motor, the suction motor and the solenoid valve.

1. Insert the plug into the mains socket.



2. Proceed to the recharging keeping the seat base lifted (see under paragraph "ACCESS TO THE BATTERY COMPARTMENT" in "BEFORE USE").
 3. Do not take off the plug from the mains socket until the indication of the end of charge is not visualized.
- At the end of the recharging, take off the plug from the mains socket.



Never charge a GEL battery with a non suitable recharger. Strictly follow the instructions supplied by the batteries and recharger manufacturer.

In order not to cause permanent damages to the batteries, it is necessary to avoid their complete discharge, providing for the recharging after that the batteries discharge signal starts blinking.
NOTE: Never leave the batteries completely discharged even if the machine is not used. In case of traditional batteries, please check the electrolyte level every 20 recharging cycles and eventually top them up with distilled water. Never leave the batteries discharged for more than two weeks.

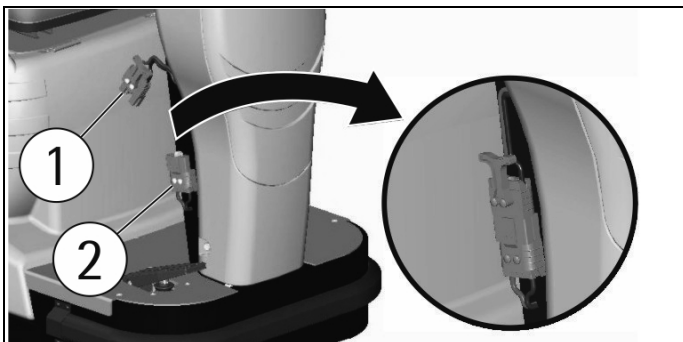


Danger of gas exhalations and emission of corrosive liquids. Fire danger: do not approach with free flames.

CONNECTION BATTERIES' CONNECTOR AND IGNITION OF THE MACHINE

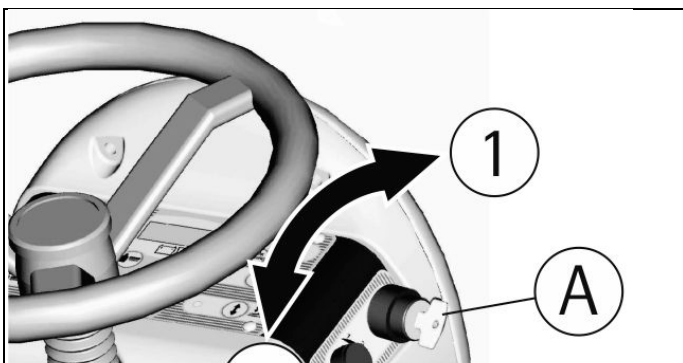
Once that the battery recharging has been completed:

1. Disconnect the connector of the battery recharger from the battery connector (1).
2. Connect instead the machine connector (2).



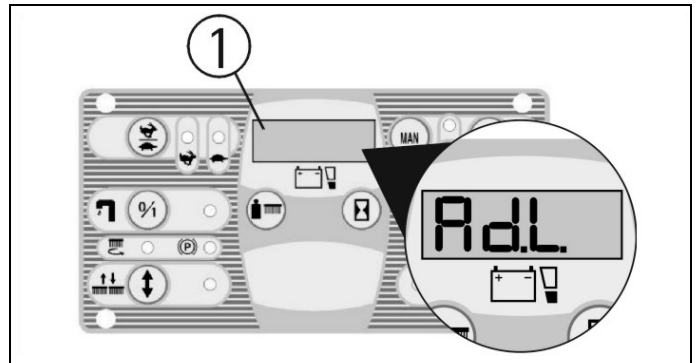
BATTERIES CHARGE LEVEL INDICATOR

To start any function of the machine, it is necessary to rotate clockwise the key switch (A). Rotating it counterclockwise any function will be switched off.

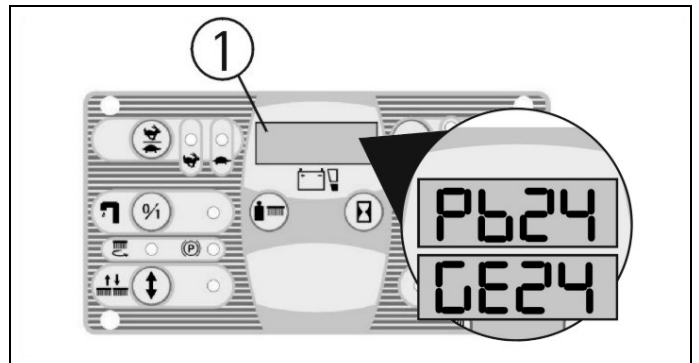


WHEN THE MACHINE IS SWITCHED ON, ON THE DISPLAY (1) APPEAR IN ORDER THE following information:

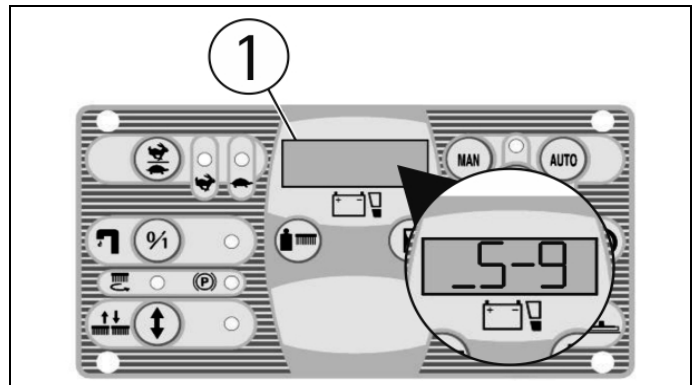
1. the machine model (for example AdL).



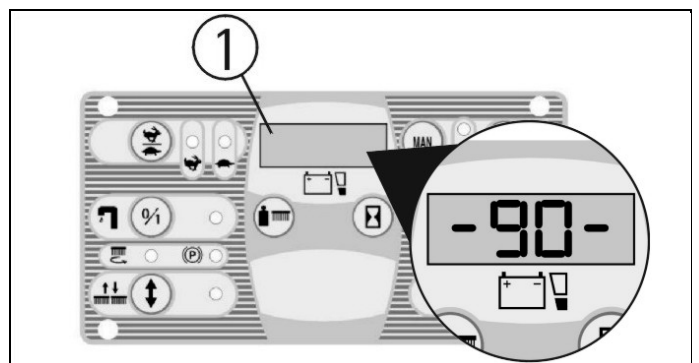
2. the setting of the battery check card which can be: GE 24 (check card set for GEL batteries). or Pb 24 (check card set for lead batteries).



3. the version of the software programme of the card (for example 5-9).

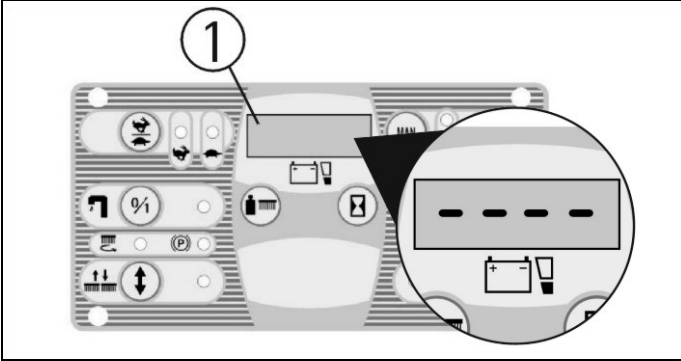


4. The batteries charge level indicator is digital and remains fixed on the display. The battery charge level starts from -100-, which indicates the 100% of the total charge and decreases from 10 to 10. When the charge level reaches -20-, the display starts blinking, so you are about the end of working.





When the indication -10- appears blinking, automatically the brushes stop, while the suction continues to work. When visualizing the four lines blinking, also the suction will stop automatically. Instead, the traction system remains functioning to enable the transfer of the machine to the place provided for the tank emptying and for the recharge of the batteries.



SETTING OF THE BATTERY CHECK CARD

The setting of the battery check card can be: GE 24 (check card set for GEL batteries).

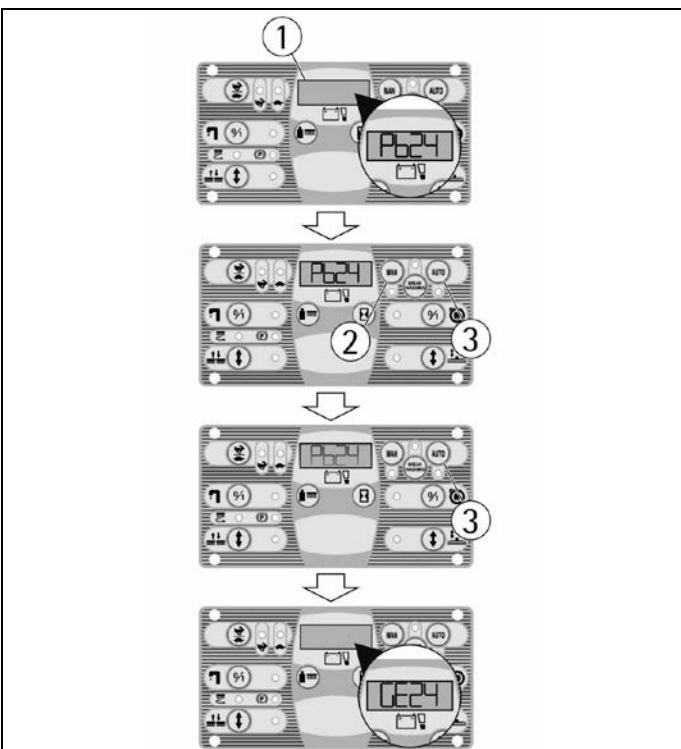
or Pb 24 (check card set for lead batteries).

The machine, if not specified otherwise, is supplied with the battery check card set for lead batteries. To modify this setting, it is necessary to:

1. Switch off and on the machine.
 2. Immediately after having switched on, when on the display (1) the writing Pb24 appears, press simultaneously the push buttons (2) and (3) up to the blinking of the writing.
 3. When the writing begins to blink, take off the fingers from the push buttons and press once the push button (3).
 4. The writing GE24 appears blinking.
 5. When the writing stops to blink, the setting is modified.
- For the passage of the setting from gel batteries into lead batteries, repeat the procedure pressing button (2) instead of button (3).

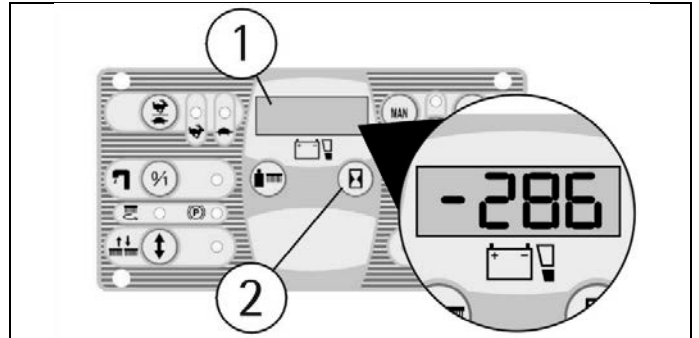


As the machine is a 24V model, do not set the batteries at 36V.



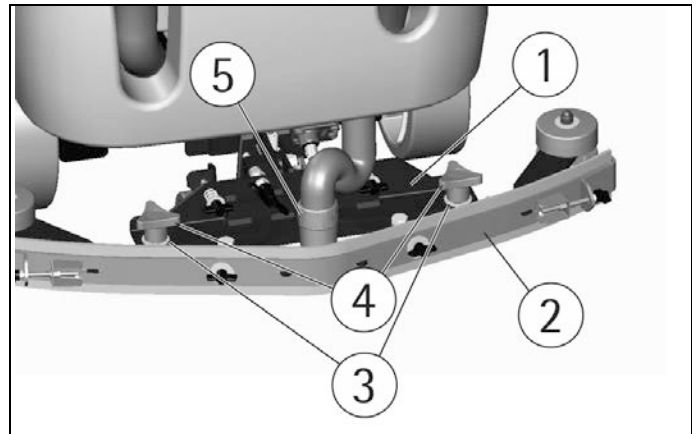
HOUR METER

The machine is equipped with an hour meter located on the same display (1) of the battery charge level indicator. Keeping the button (2) pressed, the first data indicates the working hours and after a few seconds the working minutes are shown.



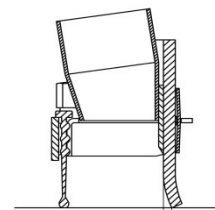
SQUEEGEE ASSEMBLY

1. Maintain the squeegee support (1) slightly lifted from the floor.
2. Insert the threaded parts of the two knobs (4) making them slide inside the two slots on the support placed on the upper part of the squeegee (2).
3. Put the washers (3) into position, they are two for each knob, so that they are assembled one under and the other on each of the two slots present on the support.
4. Block the squeegee by rotating the two knobs (4) clockwise.
5. Insert the squeegee hose (5) into its coupling, respecting its position as indicated in the figure.



ADJUSTMENT OF THE SQUEEGEE

In order to have a perfect drying result through the squeegee, the rear rubber must have the lower bending uniformly adjusted in all its length. For the adjustment, it is necessary to put oneself in working condition and therefore the suction motor has to be switched on and the brushes have to function together with the detergent solution.



The lower part of the rubber is too much bent

Take off the pressure rotating the wing nut (6) counterclockwise.

The lower part of the rubber is not much bent

Increase the pressure rotating the wing nut (6) clockwise. Check that the wheels which adjust the height do not rest on the floor, in this case adjust them as indicated in paragraph "Height adjustment".

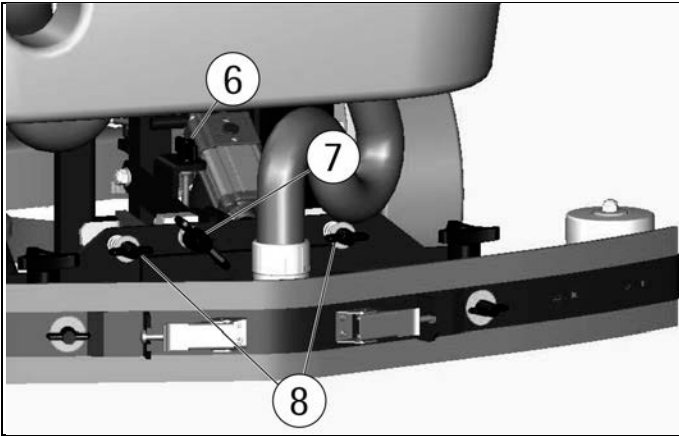
The bending is not uniform

Adjust the squeegee inclination rotating counterclockwise the wing nut (7) to increase the bending in the central part, or clockwise to increase the bending on the extremities.



Height adjustment

Once that the pressure and inclination of the squeegee have been adjusted, it is necessary to fix this optimum condition making touch slightly the wheels onto the floor. Rotate the registers (8): clockwise to lower the wheels or counterclockwise to raise them. Both wheels must be adjusted in the same measure.



Every type of floor requires a specific adjustment. For example, concrete floors (where the friction results to be high) need little pressure, while smooth floors (ceramics) need higher pressure. If the cleaning operations are made always on the same type of floor, the adjustment can change only in function of the rubber wear.

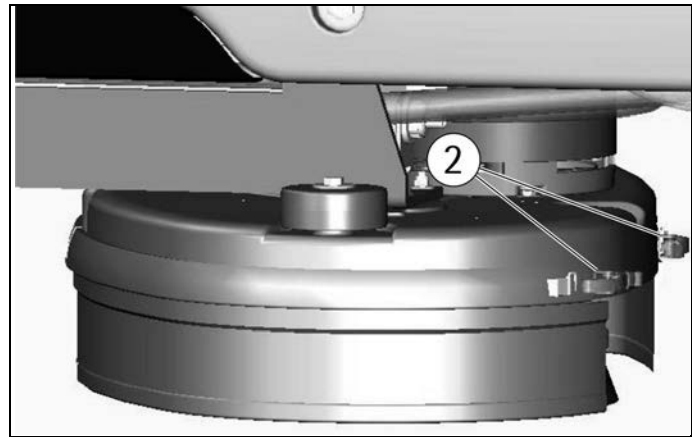
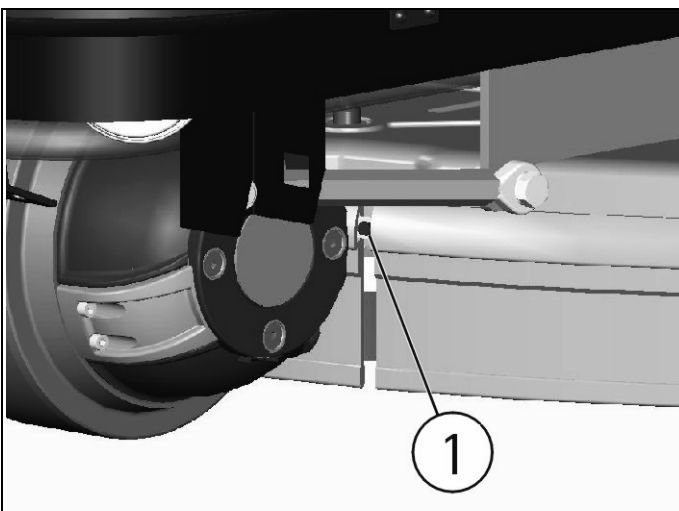
SPLASH GUARD ASSEMBLY

The two splash guards have to be assembled onto the brushes base group as indicated in the following figures. Insert the metal strips inside the suitable slots present on the rubber. Place the round hole at the extremity of the strip onto the pin (1) placed in the front part of the brushes base group. Secure the strips through the nut blocking it.

Block the coupling lever (2) in the rear part of the brushes base group to the ring placed at the extremity of the metal strip still free. Please act as above for both splash guard rubbers.

With the brushes assembled, the splash guard must slightly touch the floor.

For the disassembly it is necessary to proceed inversely with above-mentioned operations.



BRUSHES ASSEMBLY



To assemble the brushes it is necessary that the brushes base is in the lifted position. If it is not lifted, proceed as follows:

Without the operator seated, turning the key switch clockwise, the display comes on and after 3 seconds all working groups come off automatically and are lifted from the floor.

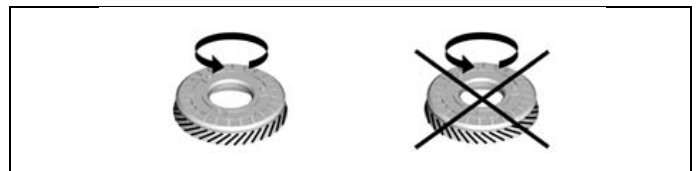
Switch off the machine turning the key counterclockwise.

With the brushes base group in lifted position, insert the brushes into their plate seat underneath the brushes base turning them until the three metal buttons are properly seated in their slots; rotate energetically the brushes to push the button towards the coupling spring until they get blocked.

The figure shows the rotating sense for brushes coupling.



For a longer life of the brushes we suggest to invert daily their position. Whenever brushes result to be deformed we suggest to reassemble them in the same position, in order to avoid that the different inclination of the bristles causes excessive motor overload or troublesome vibrations.



Use only brushes supplied with the machine or the ones indicated in the manual "RECOMMENDED BRUSHES". The use of other brushes can compromise the good washing result.



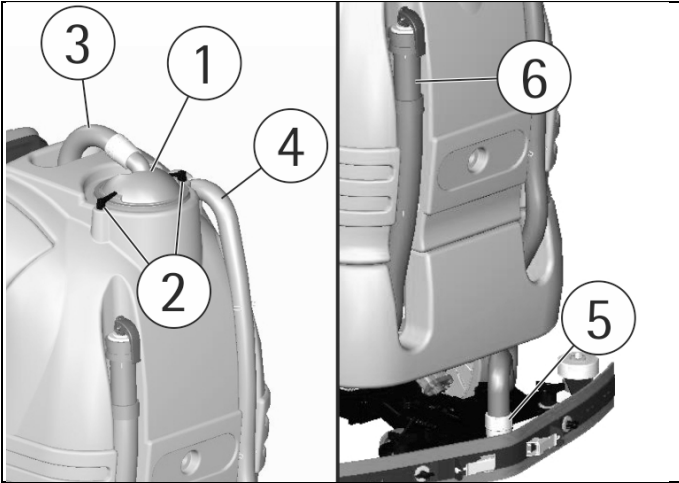
FLOOR CLEANING



RECOVERY TANK

Check that the cover of the suction filter (1) is correctly secured, after rotating the levers (2) and that the suction motor hose (3) is correctly connected to it.

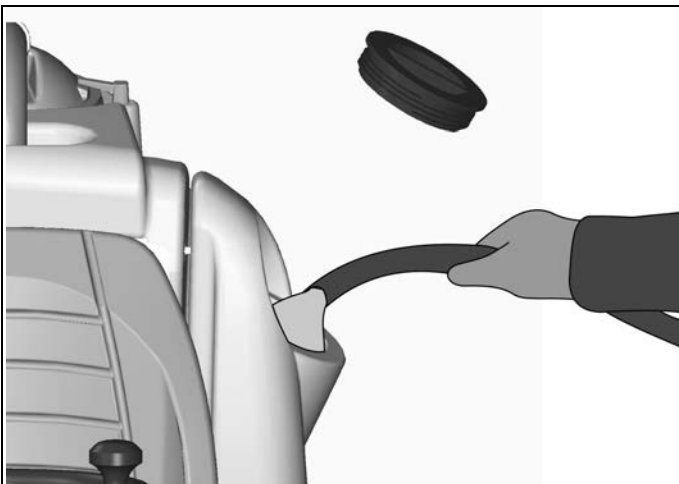
Verify also that the squeegee hose couplings (4/5) are correctly inserted into their seats and that the exhaust hose plug (6) placed in the rear part of the machine is well closed.



DETERGENT SOLUTION TANK

The capacity of the detergent solution tank is indicated in the technical data.

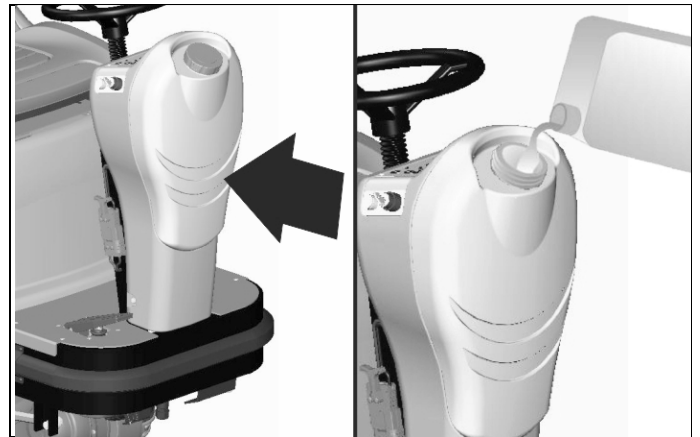
Open the screw plug placed in the left part of the machine and fill the detergent solution tank with clean water at a maximum temperature of 50°C. Add the liquid detergent in the percentage and conditions foreseen by the manufacturer. To avoid excessive foam presence, which could cause problems to the suction motor, use the minimum percentage of detergent. Screw down the plug to close the tank.



Use always low foam detergent. Protect yourself from accidental contact or splashes with the protection devices provided by the detergent manufacturer. To avoid foam presence, before starting working operation, introduce into the recovery tank a minimum quantity of anti-foam product. **Never use pure acid.**

3SD SYSTEM SOLUTION SAVING SYSTEM DISPENSER (OPTIONAL)

The system permits the predetermined dosing of the detergent percentage which will be mixed with the water of the solution tank. The detergent is contained in a transparent tank with a capacity of 8 litres, placed in the front part of the machine.

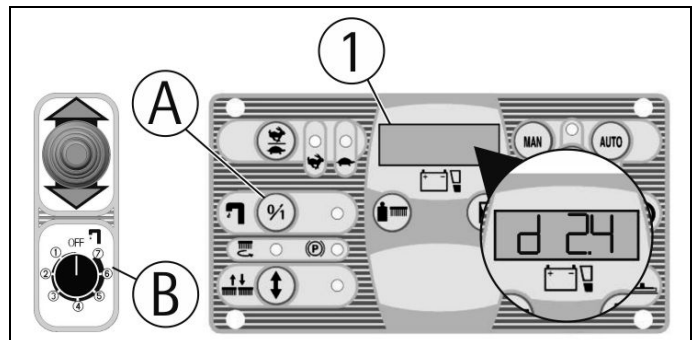


With the brushes moving, pressing once the push button (A) on the instrument board, on the display (1) the indication shows the detergent percentage which is being used.

Pressing the same push button in succession, six different possibilities of setting can be selected and the display (1) visualizes always the percentage.

The indication of the level corresponds to the following detergent percentages in the water:

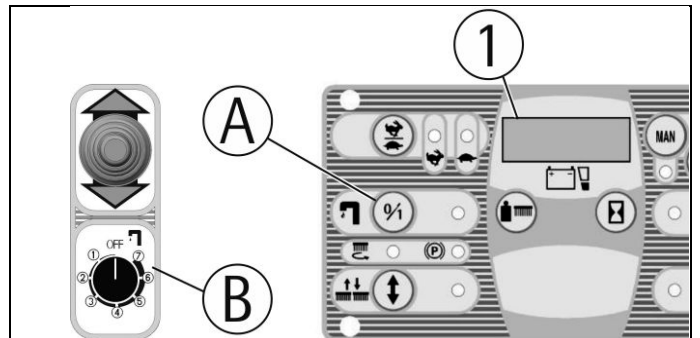
- d 0.0
- d 0.3
- d 0.6
- d 1.2
- d 2.4
- d 4.5



The dosing adjustment set remains stored by the system also with the machine stopped.

The water flow is adjusted through the 8-way commutator (B): one OFF position and 7 operating positions from a minimum of 1,2 litres/min to a maximum of 3,7 litres/min.

In OFF position both the water flow and its relative detergent flow is interrupted.



When the commutator (B) is in OFF position, an auxiliary water system can be activated, that permits the traditional use of the machine and therefore the filling of the solution tank with water and detergent without using the system and therefore without the use of the pumps. In this case it is necessary to open and adjust manually a solution valve (C) placed under the machine. In this situation the push button (A) handles the command of the solenoid valve in manual function.



NOTE: when restarting with the work in mode 3SD, it is important that the solution valve (C) is closed, this to maintain the predetermined proportions water-detergent.

NOTE: if the automatic dosing system is not being used for a long time, it is possible that the hoses of the detergent circuit are emptied and therefore at the first use, the detergent begins to come out onto the brushes with a certain delay compared to the water outlet. Through the solution valve (D) it is possible to empty the detergent tank and to recover the detergent.

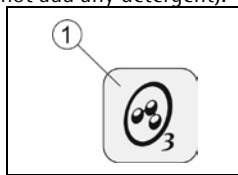


SELECTING AND WORKING WITH OZONE (OPTIONAL)

The machine can produce water with an ozone level high enough to disinfect the surfaces cleaned.

In order to operate the ozone system, the best way, proceed as follows:

1. Make sure that the inside of the solution tank is clean, eventually rinse it making at least a couple of fillings and depletions.
2. Fill the solution tank with tap water (do not add any detergent).
3. Turn on the ozone generator by pressing the proper switch identified by the appropriate symbol (1) located on the side control panel and set the different controls for the work of the machine.
4. Start working.



Ozone is a very penetrating gas and it can be irritating.

The ozonated water is strongly oxidizing, therefore in order to protect from oxidization (rust) the metal parts of the machine, it is better to rinse with water all the lower parts of the machine at least once a week.

At the end of the work, it is not necessary to empty the solution tank.

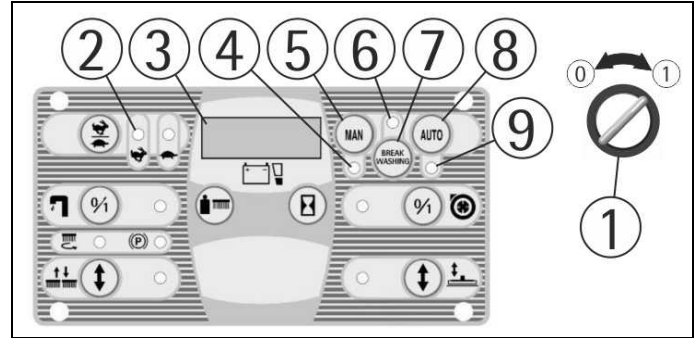
STARTING OF THE MACHINE

A safety device avoids the machine's movement if the operator is not seated correctly on the guiding place.

To switch on the machine:

1. Sit on the guiding place.
2. Adjust the seat position through the release lever placed on the left.
3. Turn the key switch (1) clockwise to switch on the machine. Automatically, the machine gets ready in manual (MAN) mode and in forward movement with the quick speed (signal lamp 2).
4. Check the charge level of the batteries on the display (3).
5. Pressing the push button (7) the functioning of BREAK WASHING is chosen and the transfer operations of the machine are carried out (see under paragraph "FORWARD AND BACKWARD MOVEMENT"). When the signal lamp (6) is on, then the machine is in BREAK WASHING mode.
6. Pressing the push button (8) the automatic (AUTO) functioning is chosen, while pressing the push button (5), the functioning of the machine becomes manual (MAN).
 - A. When the signal lamp (9) is on, the machine is functioning in automatic (AUTO) model and the machine activates and deactivates all the working functions in an automatic mode (see under paragraph "WORKING IN AUTOMATIC MODE").
 - B. When the signal lamp (4) is on, the machine is functioning in manual (MAN) mode and it is possible to choose if:

- I. to carry out the only transfer of the machine without activating or deactivating the working functions.
- II. to activate separately only the controls relative to the washing function with the brushes (see under paragraph "WORKING IN MANUAL MODE").
- III. to activate separately only the controls relative to the drying function with the squeegee (see under paragraph "WORKING IN MANUAL MODE").



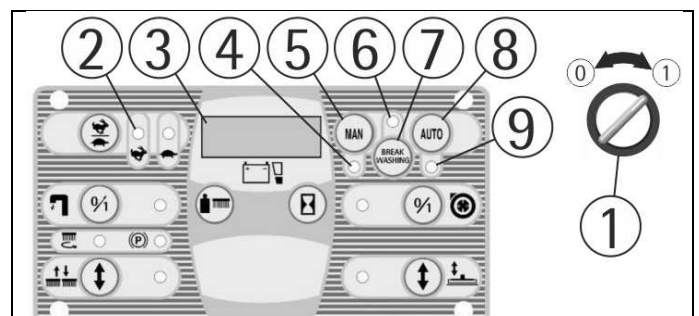
In manual mode every function of the machine has to be activated or deactivated manually.

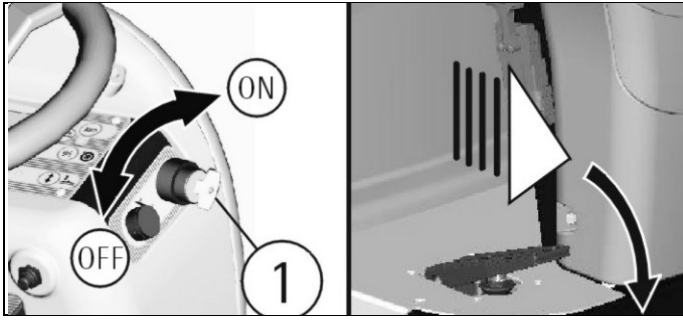
FORWARD AND BACKWARD MOVEMENT

It is recommended to carry out always the mere transfer of the machine in mode (BREAK WASHING).

To proceed to activate the movement of the machine:

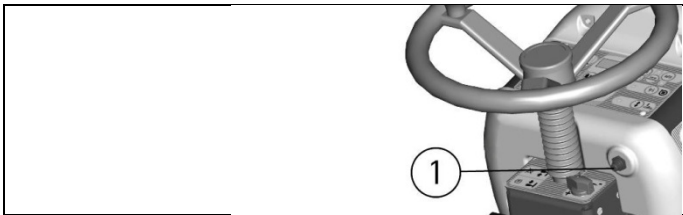
1. Sit on the guiding place.
2. Turn the key switch (1) clockwise to switch on the machine.
3. Check the charge level of the batteries on the display (5).
4. Pressing the push button (7) the functioning of BREAK WASHING is chosen to carry out the mere transfer of the machine. In fact, in this mode the washing functions of the machine are not working and only the traction system functions. When the signal lamp (6) is on, then the machine is in BREAK WASHING mode.
5. Check through the signal lamp (9) that the parking brake is not inserted and eventually release it (see under paragraph EMERGENCY-PARKING BRAKE").
6. Positioning the selector (8) forward, the forward drive is chosen, while positioning it back, the rear drive is chosen.
7. Press the accelerator pedal placed on the right part of the platform to start the machine.
8. Adjust the movement speed in forward pressing every time the push button (2) to choose the slow one (at the maximum 3,6 km/h is reached) or the fast one (at the maximum 5 km/h is reached). The signal lamp (3) indicates that the fast drive is selected, while signal lamp (4) indicates that the slow drive is selected.
9. In backward movement, when the machine is moving, an intermittent warning device is activated, selecting the backwards movement the squeegee is brought automatically to the upper position. It will then lower again in the following forward movement. This happens both in automatic as in manual mode in order to protect the integrity of the squeegee.





HORN

The machine is equipped with a horn which is activated pressing the push button (1).

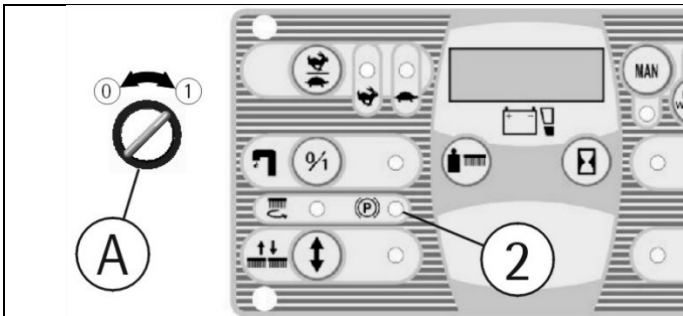


WORKING BRAKE

To stop the machine during normal working situations, it is sufficient to release the accelerator pedal, because the machine has got an electronic brake system. To restart, press again the accelerator pedal.

PARKING BRAKE

The machine is equipped with a parking brake on the traction motor wheel that operates at the complete release of the accelerator pedal or when the machine is without batteries. In case of an emergency or simply to stop the machine, it is sufficient to release the accelerator pedal. The brake remains inserted up to when the accelerator pedal is pressed again. When the batteries are connected and when the key switch (A) is positioned on 1, with the brake inserted, the signal (2) comes on.

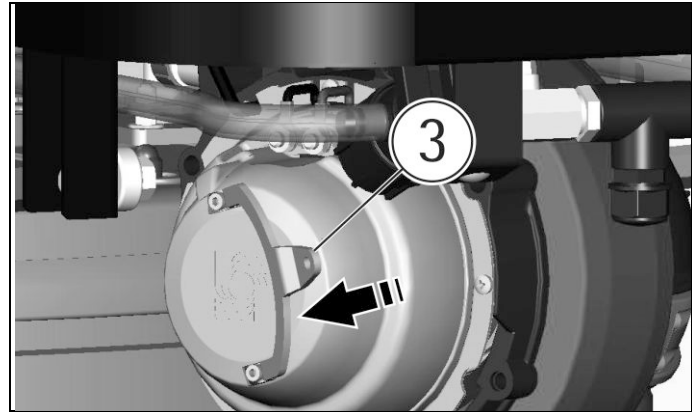


MANUAL MOVEMENT OF THE MACHINE

To move the machine manually, it is necessary to unblock the parking brake that blocks the traction motor wheel. To do this, keep the lever (3) lifted. With the delivery of the machine we also supply a cord that permits the lever operation (3). After having moved the machine, take off the cord and keep it for eventual re-use.



When the parking brake is released manually, for example when the machine has to be moved without batteries, avoid covering slopes and do not park on them either.



WORKING IN AUTOMATIC MODE

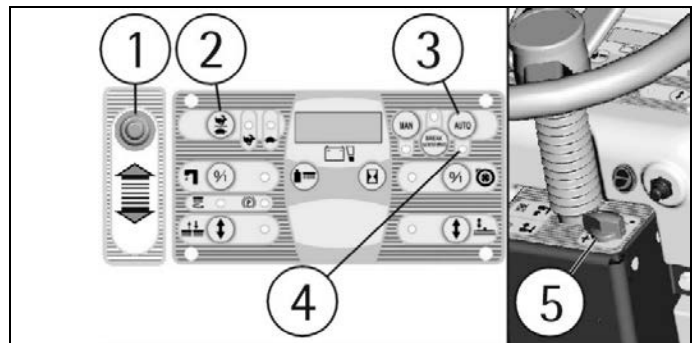
The automatic operation is useful to simplify the operator's work.

1. Activate the machine (see under paragraph "STARTING OF THE MACHINE").
2. Pressing the push button (3) the automatic (AUTO) functioning is chosen. When the signal lamp (4) is on, then the machine is functioning in automatic (AUTO) mode.
3. Check that the knob of the solution valve (5) is in the position of optimum flow, depending on the type of floor and the type of dirt (see under the paragraph "FLOW ADJUSTMENT OF THE DETERGENT SOLUTION").
4. Position the selector (2) forward to choose the forward drive.
5. Adjust the movement speed in forward with the push button (1) (see under paragraph "FORWARD AND BACKWARD MOVEMENT").
6. Pressing the accelerator pedal, the machine begins to proceed and in automatic mode all the working functions are activated. In fact, automatically both the brushes base and the squeegee go down, the brushes begin to turn, the solenoid valve opens to permit the detergent solution to flow down onto the brushes and the suction system is activated to recover the dirty water from the floor.

Positioning backwards the selector (1) to choose the rear drive and pressing the accelerator pedal the rear drive starts, the squeegee lifts automatically and will then return to lower itself during the next forward movement.

If the accelerator pedal is released for more than 3 seconds, automatically all the functions are being switched off and both the brushes base and the squeegee are being lifted.

Pressing again the pedal, the machine starts to move again and in automatic mode all the working functions are reactivated.



WORKING IN MANUAL MODE

The manual mode is useful when, in special cases, it is necessary to carry out separately only the washing with the brushes or only the drying of the floor.

1. Activate the machine (see under paragraph "STARTING OF THE MACHINE").
2. Pressing the push button (2) the functioning of manual (MAN) mode is chosen. When the signal lamp (1) is on, then the machine is functioning in manual (MAN) mode.

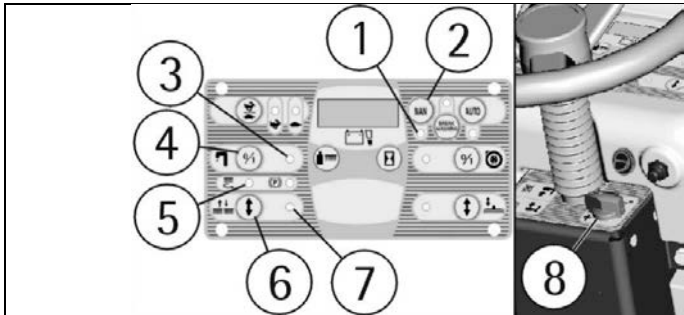
TO CARRY OUT THE WASHING WITH ONLY THE BRUSHES:

1. Check that the knob of the solution valve (8) is in the position of optimum flow, depending on the type of floor and the type of dirt (see under the paragraph "FLOW ADJUSTMENT OF THE DETERGENT SOLUTION").
2. Press the push button (6) of up/down of the brushes base to lower the brushes. Once that it is lowered, the brushes begin to



turn. The blinking signal lamp (7) indicates that the brushes base is lowering or lifting (it remains on when the brushes base is in working position), while the signal lamp (5) signals that the brushes are turning.

3. Press the switch (4) to open the solenoid valve and permit the detergent solution to lower onto the brushes. The signal lamp (3) will come on, to indicate that the solenoid valve is open.

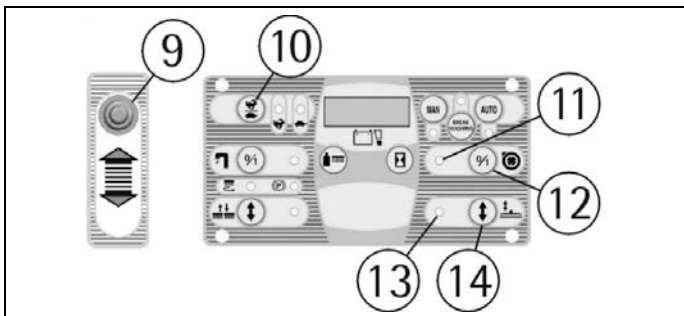


TO CARRY OUT THE FUNCTION OF ONLY DRYING:

1. Press the push button (14) of up/down squeegee to lower the squeegee. The blinking signal lamp (13) indicates that the squeegee is lowering or lifting (it remains on when the squeegee is in working position).
2. Press the switch (12) of the suction motor to start the suction system. The signal lamp (11) indicates that the machine is drying.
3. Position the selector (9) forward to choose the forward drive.
4. Adjust the movement speed in forward with the push button (10) (see under paragraph "FORWARD AND BACKWARD MOVEMENT").
5. Pressing the accelerator pedal, the machine begins to proceed forward and to work according to the set functions.



In manual mode every function of the machine has to be activated or deactivated manually.



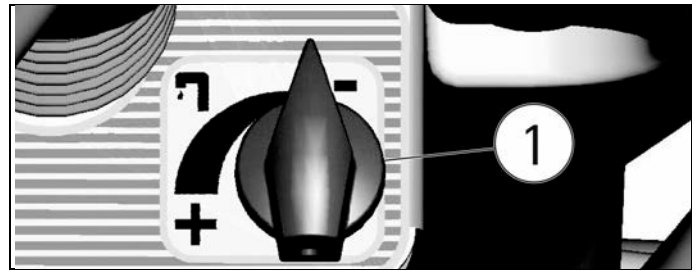
WORKING ADJUSTMENTS

Both in automatic as in manual mode, during the first metres check:

1. that the squeegee adjustment guarantees a perfect drying result (see under paragraph "ADJUSTMENT OF THE SQUEEGEE").
2. that the adjustment of the detergent solution flow is sufficient to wet the floor uniformly avoiding the leakage of detergent from the splash guards (see under paragraph "FLOW ADJUSTMENT OF THE DETERGENT SOLUTION").
3. that the brushes pressure permits an efficient washing action in function of the dirt and the speed (see under paragraph "ADJUSTMENT OF THE BRUSHES PRESSURE").

FLOW ADJUSTMENT OF THE DETERGENT SOLUTION

To adjust the detergent solution quantity that flows down onto the brushes it is necessary to act upon the solution valve knob (1) placed on the right of the steering column, rotating counterclockwise to increase it and clockwise to reduce it up to close the flow. It is better to adjust the water flow during work and at every adjustment of the brushes pressure.



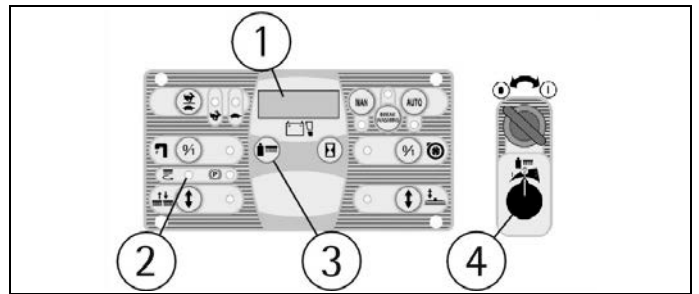
ADJUSTMENT OF THE BRUSHES PRESSURE

Through the knob (4) it is possible to adjust the brushes pressure onto the floor in three pre-set pressure levels. We can visualize on the display (1) the pressure in kg previously set by pressing the push button (3).

The adjustment occurs in this way both in automatic and in manual mode.



In order not to overload the brushes motor, it is convenient to reduce the brushes pressure going from smooth floors to rough ones (ex. concrete). The visualization of the blinking led (2) indicates an overload of the brushes motor. It is therefore necessary to reduce the pressure up to the level where the blinking warning stops.

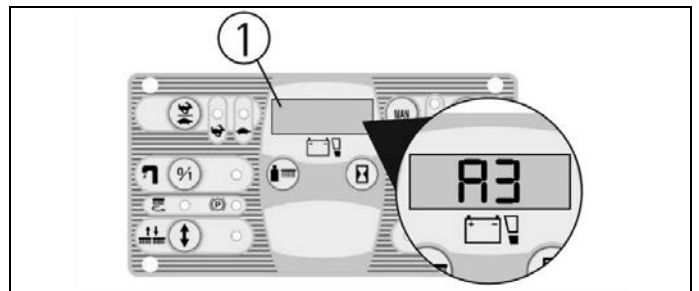


ELECTRIC PROTECTION

The machine is equipped with an electronic system of protection for all components that carry out functions of power or control. This device blocks the defective component and indicates on the display (1) the corresponding alarm from "A1", "A2" and on.



To restore the functioning of the component, turn off and on again the machine acting upon the key switch. If the problem persists, please contact the authorized technical assistance.



OVERFLOW DEVICE

In order to avoid serious damages to the suction motor, the machine is equipped with a mechanical float that intervenes when the recovery tank is full, closing the air flow of the suction. When this happens, it is necessary to empty the recovery tank (see under paragraph "RECOVERY TANK EMPTYING AND CLEANING").



AFTER CLEANING OPERATION

IN AUTOMATIC OR MANUAL WORKING MODE:

1. At the end of the washing cycle, pressing the push button (1), the functioning of BREAK WASHING is chosen. When the signal lamp (2) is on, then the machine then the machine is in BREAK WASHING mode. In this way automatically the brushes lift, the solenoid valve shuts down and it is possible to finish the drying operation for a total time of about 15 seconds, afterwards also the squeegee is lifted and the suction stops.

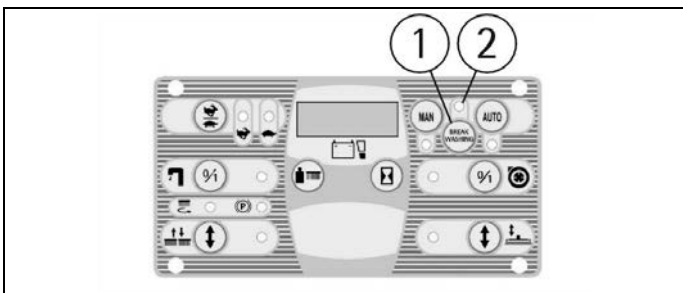
NOTE: all these phases are carried out with the machine operating, so that the squeegee can dry the interested cleaning area from the "drying phase of the brushes" and furthermore can dry the suction hose of its dirty water.

At any time it is possible to interrupt the procedure BREAK WASHING by stopping the drive.

2. During the phase of BREAK WASHING, when the accelerator pedal is released for more than 3 seconds, the squeegee raises itself and the suction switches off automatically.
3. After three seconds, the accelerator can be pressed again, if a machine's transfer has to be made (you can anyway make the transfer even if the pedal is not lifted once that 15 seconds have passed).
4. Turn the switch key counterclockwise to switch off the machine.
5. Insert the parking brake (see under paragraph "EMERGENCY-PARKING BRAKE").

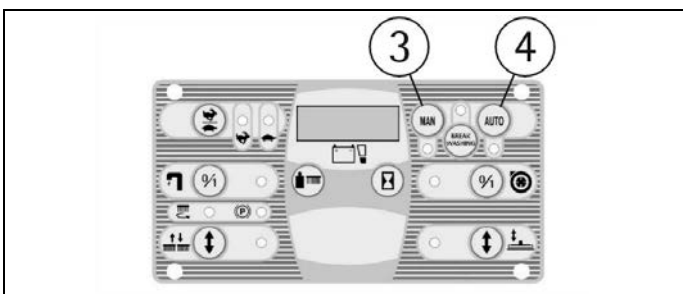


The mode (BREAK WASHING) is specific for the transfer at the end of the cleaning operation.



Starting again the cleaning operation:

- A. by pressing the push button (4) the automatic (AUTO) functioning is chosen to start working in automatic mode.
- B. by pressing the push button (3) the manual (MAN) functioning is chosen to start working in manual mode and all functions have to be re-established manually.



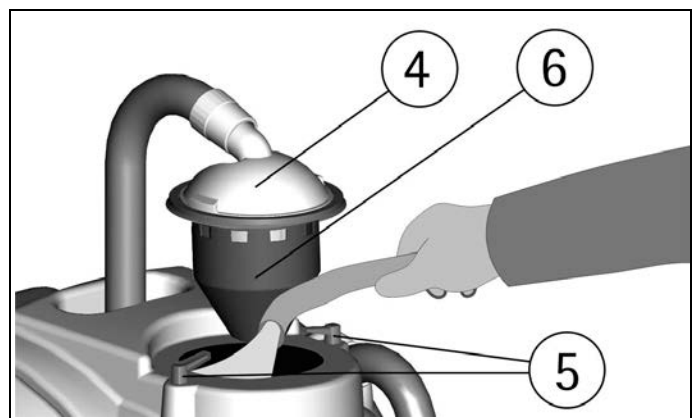
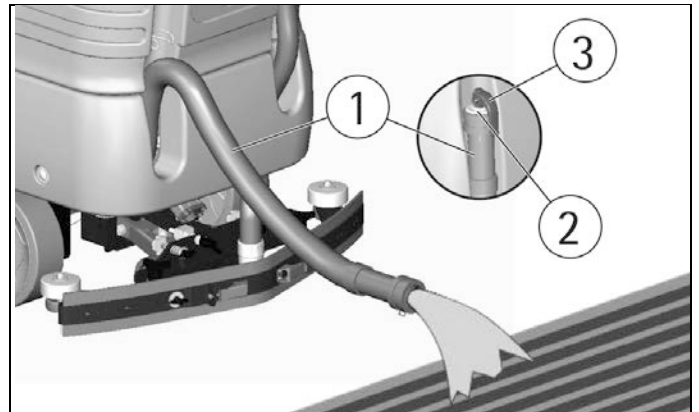
DAILY MAINTENANCE

RECOVERY TANK EMPTYING AND CLEANING



1. Hold the exhaust hose (1) placed in the rear part of the machine after having taken it off from its fixing support.
2. Take off the plug (2) from the exhaust hose acting upon its lever (3) and empty the recovery tank into appropriate containers, in compliance with the respective rules what the liquid disposal concerns.

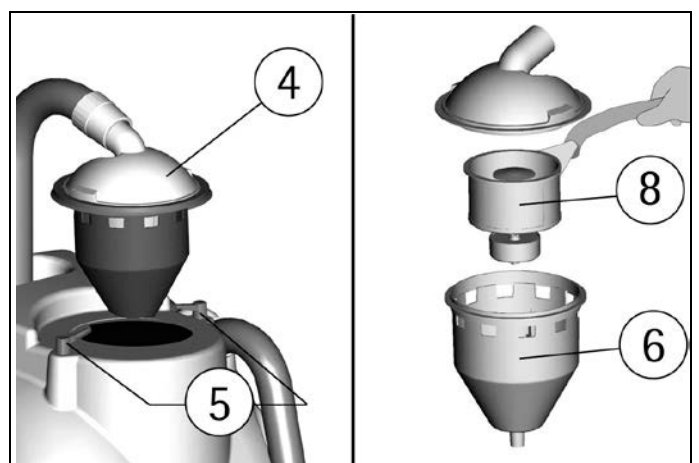
3. Take off suction cover (4) after rotating the blocking levers (5).
4. Take off the filter and filter protection (6).
5. Rinse the inside of the tank with a water jet through the hole become free of the filter.
6. Reassemble all parts.



SUCTION FILTER CLEANING



1. Take off suction cover (4) after rotating the blocking levers (5).
2. Take off the filter (8) and its filter protection (6).
3. Clean all parts with a water jet and especially the inside surfaces and the filter bottom.
4. Carry out cleaning operations carefully.
5. Reassemble all parts.



BRUSHES DISASSEMBLY



With the brushes base in lifted position (see under paragraph "BRUSHES ASSEMBLY"), rotate the brushes energetically in order to



release the button from the coupling spring until it becomes free and wash them with a water jet. The figure shows the rotating sense for brushes release.



BRUSHES CLEANING



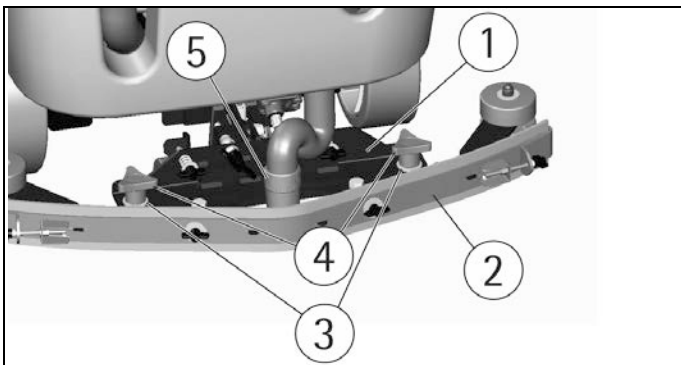
Disassemble the brushes and clean them with a water jet (for the brushes disassembly see under paragraph "BRUSHES DISASSEMBLY").

SQUEEGEE CLEANING



Keeping the squeegee clean guarantees always the best drying result. For its cleaning it is necessary to:

1. Take off the squeegee hose (5) from the coupling.
2. Disassemble the squeegee (2) from its support (1) by loosening the knobs (4) counterclockwise and making slide the threaded parts in the appropriate slots up to their release.
3. Clean with care the internal part of the squeegee inlet eliminating eventual dirt residuals.
4. Clean with care the squeegee rubbers.
5. Reassemble all parts paying attention to put the washers (3) into position, they are two for each knob, so that they are assembled one under and the other on each of the two slots present on the support.



WEEKLY MAINTENANCE

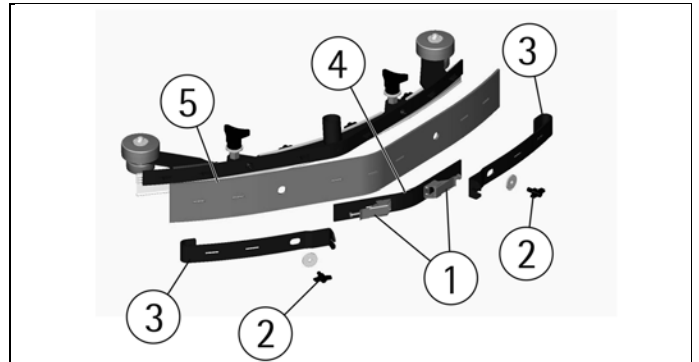
REAR SQUEEGEE RUBBER CHECK



Check the squeegee rubber wear and eventually turn or replace it. For the replacement it is necessary to:

1. Lift the squeegee (see under paragraph "STOP OF THE MACHINE AFTER CLEANING OPERATION").
2. Unhook the closing levers (1).
3. Unscrew the wing nuts (2) to take off the terminals of the outer rubber holder blades (3) and then take off the central rubber holder blade (4).

4. Take off the rubber (5), turn it to a new side or replace it. To reassemble the squeegee repeat reverse the operations above mentioned.

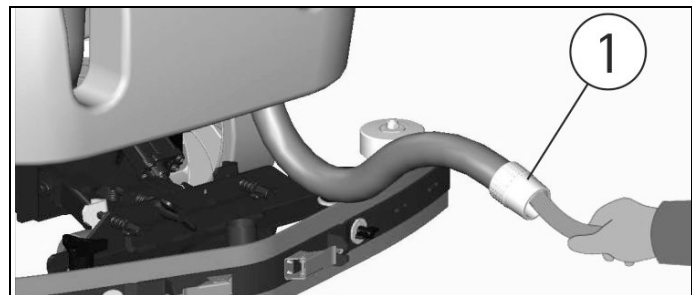


SQUEEGEE HOSE CLEANING



Weekly or in case of insufficient suction, it is necessary to check that the squeegee hose is not obstructed. Eventually, to clean it, proceed as follows:

1. Take off the hose (1) from the squeegee coupling.
2. Wash the inside of the hose with a water jet.
3. To reassemble the hose repeat inversely the above-mentioned operations.

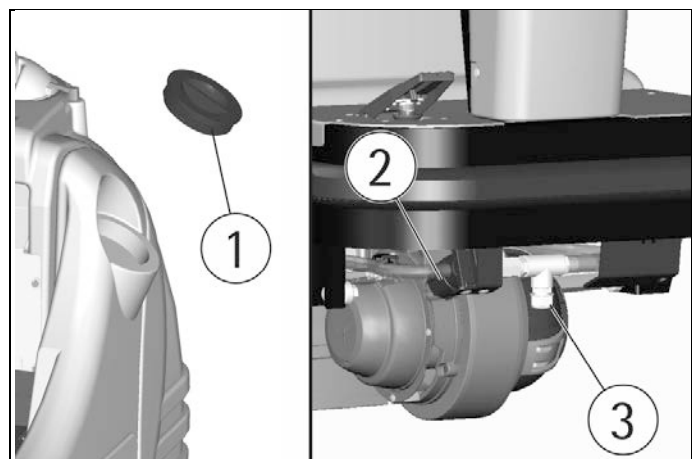


CLEANING OF THE SOLUTION TANK AND OF THE OUTER FILTER



Bring the machine to an appropriate place for the detergent solution draining.

1. Unscrew the solution tank cap (1).
2. Unscrew the filter cap (2) and take off the filter. Be careful not to lose the gasket of the cap.
3. Unscrew the drain plug of the detergent solution (3).
4. Rinse with a water jet the solution tank and the components of the filter.
5. Reassemble all parts.





TWO-MONTHLY MAINTENANCE

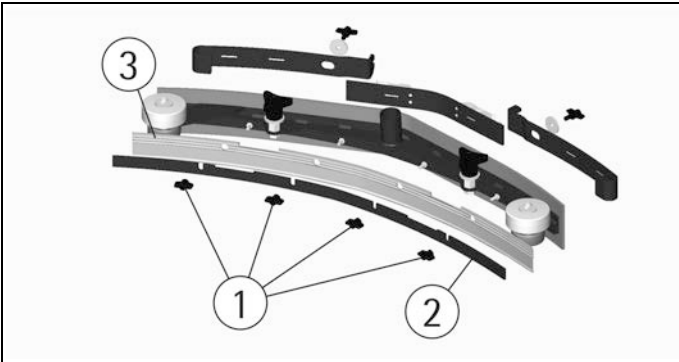
FRONT SQUEEGEE RUBBER CHECK



Check the wear of the squeegee rubber and eventually replace it. For the replacement it is necessary to:

1. Take off the squeegee (see under paragraph "SQUEEGEE CLEANING").
2. Disassemble the rear part of the squeegee (see under paragraph "REAR SQUEEGEE RUBBER CHECK").
3. Unscrew the wing nuts (1) and take off the front rubber holder blade (2).
4. Replace the front rubber (3).

To reassemble the squeegee repeat reverse the operations above mentioned.



SIX-MONTHLY MAINTENANCE

SPLASH GUARD RUBBER CHECK



With the brushes assembled, the splash guards must slightly touch the floor. If they are worn, they have to be replaced. Just release the lever coupler placed in the rear part of the brushes base group from the ring placed at the free extremity of the metal strip to take off the rubbers and to reinsert the new ones (see under paragraph "SPLASH GUARD ASSEMBLY"). This operation has to be carried out for both splash guards").

TROUBLESHOOTING GUIDE

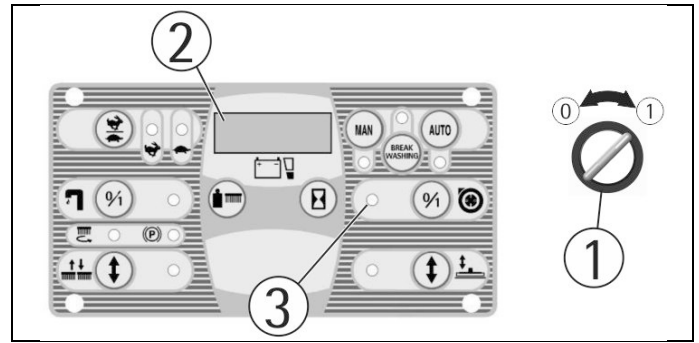


If with the key switch positioned clockwise to switch on the machine the display and other functions are not activated, it is necessary to check the batteries' connection to the machine (see under paragraph "CONNECTION BATTERIES' CONNECTION AND SWITCHING ON OF THE MACHINE"). If the problem persists, please contact the authorized technical assistance.

THE SUCTION MOTOR DOES NOT WORK

1. Verify that the key switch (1) is positioned clockwise to switch on the machine. In presence of alarm signals it is necessary to switch off and on again the machine to restore the functionality.
2. Check the charge level of the batteries on the display (2).
3. Verify of having activated correctly the function of drying (see under paragraph "STARTING OF THE MACHINE").
4. Check that the recovery tank is not full.

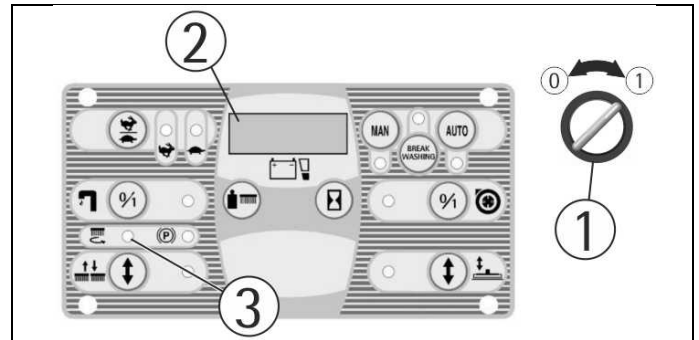
If, both in mode (MAN) as (AUTO), the signal lamp (3) is on but the suction system does not work, please contact the authorized technical assistance.



THE BRUSHES MOTOR DOES NOT WORK

1. Verify that the key switch (1) is positioned clockwise to switch on the machine. In presence of alarm signals it is necessary to switch off and on again the machine to restore the functionality.
2. Check the charge level of the batteries on the display (2).
3. Verify of having activated correctly the function of washing with the brushes (see under paragraph "STARTING OF THE MACHINE").

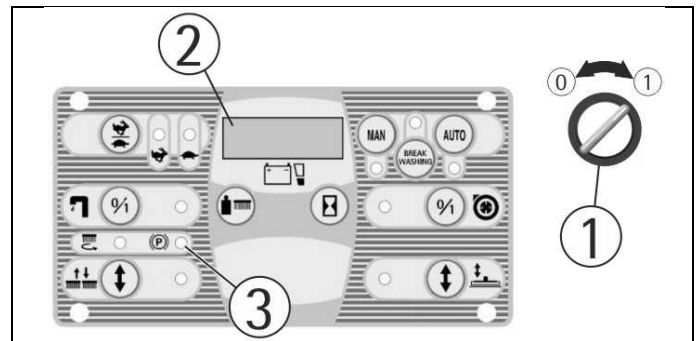
If, both in mode (MAN) as (AUTO), the signal lamp (3) is on but the brushes do not turn, please contact the authorized technical assistance.



THE TRACTION MOTOR DOES NOT WORK

1. Sit on the guiding place.
2. Verify that the key switch (1) is positioned clockwise to switch on the machine. In presence of alarm signals it is necessary to switch off and on again the machine to restore the functionality.
3. Check the charge level of the batteries on the display (2).
4. Check through the signal lamp (3) that the parking brake is not inserted and eventually release it (see under paragraph "EMERGENCY-PARKING BRAKE").
5. Press the accelerator pedal placed on the right side to start the machine.

If the problem persists, please contact the authorized technical assistance.

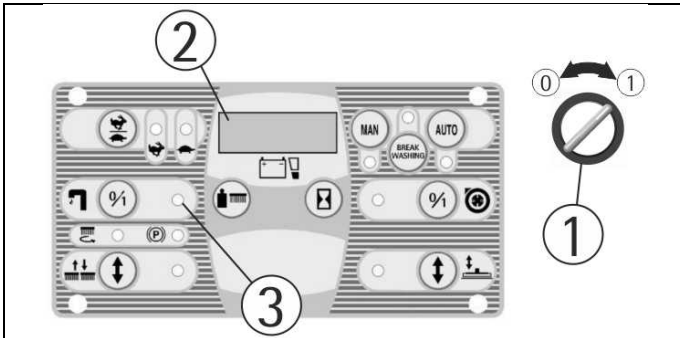


WATER DOES NOT COME DOWN ONTO THE BRUSHES OR IS NOT SUFFICIENT

1. Verify that the key switch (1) is positioned clockwise to switch on the machine.
2. Check the charge level of the batteries on the display (2).
3. Verify of having activated correctly the function of washing with the brushes (see under paragraph "STARTING OF THE MACHINE").

4. Check that the solution valve is open (see under paragraph "FLOW ADJUSTMENT OF THE DETERGENT SOLUTION").
5. If, both in mode (MAN) as (AUTO), the signal lamp (3) is on but the detergent solution does not come down onto the brushes, it is necessary to:
 - a. check the level of the liquid in the tank.
 - b. check that the solution filter is clean (see under paragraph "CLEANING OF THE SOLUTION TANK AND OF THE OUTER FILTER").

If the problem persists, please contact the authorized technical assistance.



THE MACHINE DOES NOT CLEAN PROPERLY

1. The brushes do not have the suitable bristle dimension: contact the authorized technical assistance.
2. The brushes have got worn bristles. Check the brushes wear condition and eventually replace them (the brushes have to be replaced when the bristles have reached a height of about 15mm).
3. To replace the brushes, see instructions under paragraph "BRUSHES DISASSEMBLY" and "BRUSHES ASSEMBLY".
4. The detergent solution is insufficient: open more the solution valve (see under paragraph "FLOW ADJUSTMENT OF THE DETERGENT SOLUTION").
5. Check that the liquid detergent is in the recommended percentage.
6. Increase the brushes base pressure (see under paragraph "ADJUSTMENT OF THE BRUSHES PRESSURE").

Contact the authorized technical assistance for advice.

THE SQUEEGEE DOES NOT DRY PERFECTLY

1. Check that the suction function is on and that the recovery tank is not full.
2. Check that the squeegee rubbers are clean (see under paragraph "SQUEEGEE CLEANING").
3. Check the adjustment of the height and the inclination of the squeegee (see under paragraph "ADJUSTMENT OF THE SQUEEGEE").
4. Check that the suction and the squeegee hoses are correctly inserted in their proper seats on the recovery tank.
5. Clean the suction filter (see under paragraph "SUCTION FILTER CLEANING").
6. Clean the squeegee hose (see under paragraph "SQUEEGEE HOSE CLEANING").
7. Replace the rubbers if worn out.

EXCESSIVE FOAM PRODUCTION

Check that low foam detergent has been used. Eventually add small quantities of anti foam liquid into the recovery tank.

Please be aware that a bigger quantity of foam is produced when the floor is not very dirty. In this case please dilute detergent solution.

PROGRAMMED MAINTENANCE

PERIODIC ORDINARY MAINTENANCE CHART

INTERVENTION	DAILY	PERIODIC
RECOVERY TANK CLEANING	•	
SUCTION FILTER CLEANING	•	
SOLUTION TANK FILTER CLEANING		•
BRUSHES CLEANING	•	
BRUSHES DISASSEMBLY AND CLEANING	•	
SQUEEGEE CLEANING	•	
FRONT SQUEEGEE RUBBER REPLACEMENT		•
REAR SQUEEGEE RUBBER REPLACEMENT		•
SPLASH GUARD RUBBER REPLACEMENT		•
CHECK SQUEEGEE ADJUSTMENT		•
SQUEEGEE HOSE CLEANING		•
SOLUTION TANK CLEANING		•
CHECK BATTERIES ELECTROLYTE		•

ADVICE SEr1

The machine is equipped with an advice system for the programmed maintenance.

Such signal is visualized on the display showing SEr1.

If this signal appears, please contact the authorized technical assistance for the maintenance.



TAKARÍTÓGÉP



CENTRUM



ADIATEK® Takarítógépek Magyarországi Képviselete

H-9700 Szombathely, Zanati út 26. Fsz. – Zanati 26 Irodaház

Telefon: +36 94 452 972, +36 70 409 2655

E-mail: info@takaritogepcentrum.hu

www.takaritogepcentrum.hu

www.adiatek.com